

# SR1065

## ROUGH TERRAIN TELEHANDLER



- Full-time 4-wheel drive
- Fully enclosed cab
- Power assisted steering
- Proportional joystick
- Simple to operate & maintain

 **snorkel**<sup>™</sup>  
[www.snorkellifts.com](http://www.snorkellifts.com)

# ROUGH TERRAIN TELEHANDLER

# SR1065

## CAPABILITIES SR1065\*

Max. lift capacity	6,500kg
Max. lift height (A)	9.5m
Max. forward reach	5.4m

## DIMENSIONS

Overall width (B)	2.3m
Stowed height (C)	2.5m
Length to fork face (D)**	6.45m
Wheelbase	2.9m
Ground clearance	410mm

## PERFORMANCE

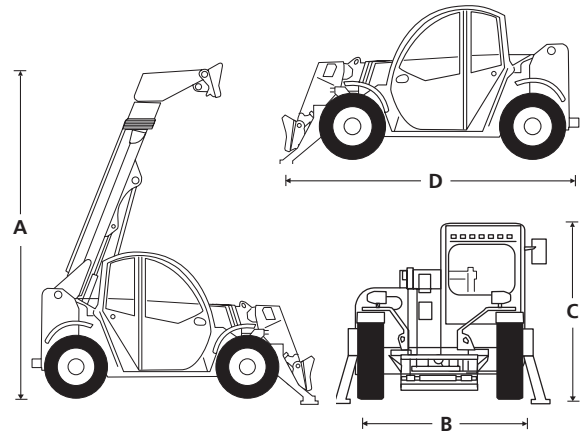
Max. drive speed	40 km/h
Raise/lower time	20/14sec
Frame levelling	10°
Hydraulic flow (per minute)	100L
Hydraulic pressure	230bar
Hydraulic oil capacity	150L
Fuel capacity	120L
Outside turning radius	4.5m
Tyres	445/65 R22.5"

## POWER

Power source	Deutz TCD 74.5kW Stage V / Tier 4 Final diesel
--------------	--

## WEIGHT

Weight	11,090kg
--------	----------



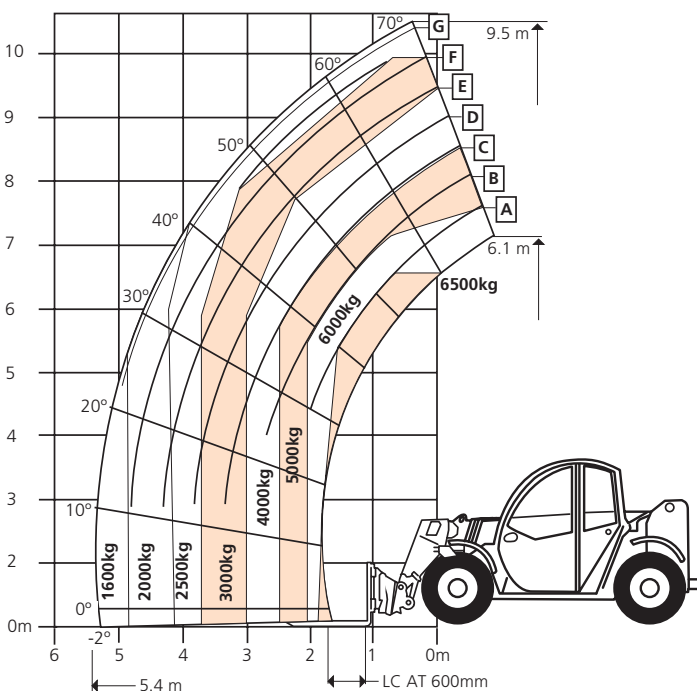
## STANDARD FEATURES

- Full-time 4-wheel drive
- 4-wheel steer - selectable front, crab & coordinated steering modes
- Auxiliary hydraulic circuit on the boom
- Variable speed hydrostatic drive
- Fender (4)
- Fully enclosed cab with heat
- Proportional joystick controls
- Adjustable steering column
- Illuminated gauge and switch panels
- Colour LCD display with machine & engine diagnostics
- Adjustable suspension seat
- Flashing beacon
- Fixed 1500mm carriage & 1500mm floating forks
- 2 year parts & labour, 5 year structural warranty
- CE approved

## OPTIONS

- Special paint colours
- Air conditioning
- Grammer air suspension seat
- Front & rear LED work lights (4)
- Work lights on boom (2)
- Heated right external mirror
- Additional rear mirror
- Cab front glass protection grille
- Engine preheater 220V
- Boom suspension & floating boom
- Bluetooth radio, handsfree & USB socket
- Sun curtain
- Fixed tow hook 6 ton
- Snorkel OnSite™ telematics

## LOAD CHART



**snorkel** [www.snorkellifts.com](http://www.snorkellifts.com)

Vigo Centre, Birtley Road,  
Washington, Tyne & Wear,  
NE38 9DA, U.K.

t: +44 (0) 845 1550 057

e: sales.emea@snorkellifts.com